



Cat. No. 702 Dolby Digital Soundhead



The Dolby Cat. No. 702 Dolby Digital Soundhead enables your projectors to read Dolby Digital soundtracks.

The Dolby® Cat. No. 702 is a penthouse-type soundhead designed for mounting on both current and older projector models to read Dolby Digital and Dolby Digital Surround EX™ soundtracks. It outputs a Dolby Digital data stream for decoding by the cinema's Dolby Digital processor or digital adapter.

To read Dolby Digital soundtracks reliably and accurately, the Cat. No. 702 uses the latest in LED longevity and CCD technology, including a video output level indicator for adjusting the LED array's drive current. To ensure smooth film motion, it uses an easily threaded Davis tight-loop configuration with twin tension arms. Operating power is drawn from your Dolby cinema processor, eliminating the need for a separate AC connection.

The Dolby Cat. No. 702 Dolby Digital Soundhead makes it possible for your cinema to take full advantage of the world's most popular digital soundtrack format.

Cat. No. 702 Dolby Digital Soundhead Specifications

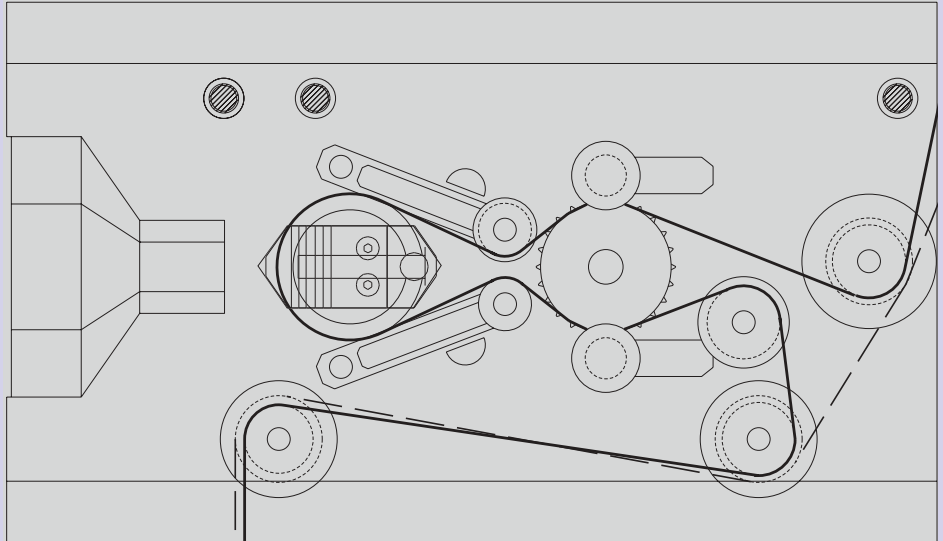
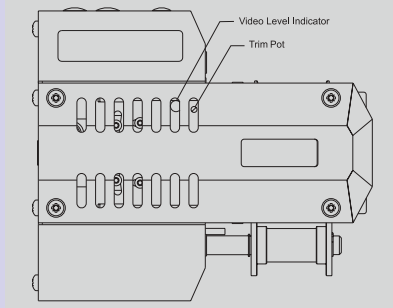
Dolby Cat. No. 702 Film Path

Solid line: Read Dolby Digital soundtrack

Dashed line: Bypass Dolby Digital reader

LED Adjustment

Tri-color video level LED indicates when the drive current for the reader's LED array is correct, too high, or too low



Construction

Die-cast aluminum with matte black finish

Projector Compatibility

The Cat. No. 702 can be mounted directly on some projector models, while others require an adapter plate. For information on specific projectors, contact your Dolby representative.

Connecting Cable

10-meter (32.8-foot) high-quality video cable included

Prewired 12-pin male Molex® connector for Cat. No. 702 output, 25-pin male D-connector for Dolby Digital processor input

Optional 15-meter (49-foot) cable:
Dolby Part No. 83237

Optional 30-meter (98-foot) cable:
Dolby Part No. 83142

Power Requirements

Draws operating power from Dolby cinema processor via interconnecting video cable; no adjustments or other wiring required

Dimensions and Weight

150 x 175 x 275 mm (5.9 x 6.9 x 10.8 inches)

Net: 5 kg (11 lb)

Environmental Conditions

Operating: 0° to 40°C (32° to 104°F),

Nonoperating (storage): 0° to 85°C
(32° to 185°F)

Humidity: 20 to 80% relative, noncondensing

Regulatory Notices

North America: This unit complies with the limits for a Class A digital device, pursuant to Part 15 of the FCC rules, and Industry Canada ICES-003 specifications. **Europe:** This unit complies with the requirements of EMC Directive 89/336/EEC and carries the CE marking accordingly.

Warranty

One-year limited, parts and labor; see disclaimer below.

Specifications subject to change without notice.

Disclaimer of Warranties

Equipment manufactured by Dolby Laboratories is warranted against defects in materials and workmanship for a period of one year from the date of purchase. There are no other express or implied warranties and no warranty of merchantability or fitness for a particular purpose, or of noninfringement of third-party rights (including, but not limited to, copyright and patent rights).

Limitation of Liability

It is understood and agreed that Dolby Laboratories' liability, whether in contract, in tort, under any warranty, in negligence, or otherwise shall not exceed the cost of repair or replacement of the defective components or accused infringing devices, and under no circumstances shall Dolby Laboratories be liable for incidental, special, direct, indirect, or consequential damages (including, but not limited to, damage to software or recorded audio or visual material), cost of defense, or loss of use, revenue, or profit, even if Dolby Laboratories or its agents have been advised, orally or in writing, of the possibility of such damages.

Dolby and the double-D symbol are registered trademarks of Dolby Laboratories. Surround EX is a trademark of Dolby Laboratories. Molex is a trademark of Molex, its affiliates, related companies, licensors, and/or joint venture partners.

© 2004 Dolby Laboratories, Inc. All rights reserved. S04/14987/15249
Part No. 91855 Issue 3